

# DBX100

## Dropbox Card Collector

### General Description

DBX100 is a dropbox type card collector. User can drop their visitor card into the dropbox to gain access for exit or entry. DBX100 can be integrated with any access control reader.

DBX100 slim and small profile makes it easier to be used side-by-side with other pedestrian gate and building entrance.

DBX100 design is simplified to achieve highly affordable solution for ticketing and visitor management system.

### Application

DBX100 is suitable for indoor application only. It is **NOT** suitable to be installed outdoor or near sea side.

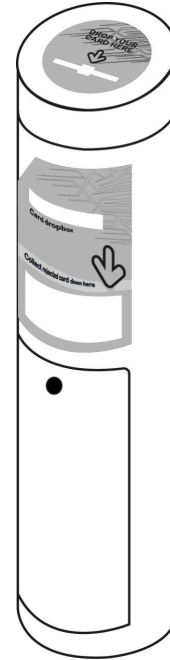
### Features

**Flexible card size.** Can support maximum card width up to 10cm. DBX100 can take in entire card with card holder and pin clip.

**Can be integrated with VMS & access control.** Any proximity reader can be installed inside the dropbox. Access reader just needs to provide dry contact output to trigger dropbox to accept the card. Valid visitor card will be accepted into collection bin and open the gate when you integrate with your access control system. Invalid visitor card will be falls out to exit tray at front.

**User friendly & easy operation.** Green light indicates the card is valid and card fall in collection box. Red light when fully occupied and the card will be rejected and falls out to exit tray in front.

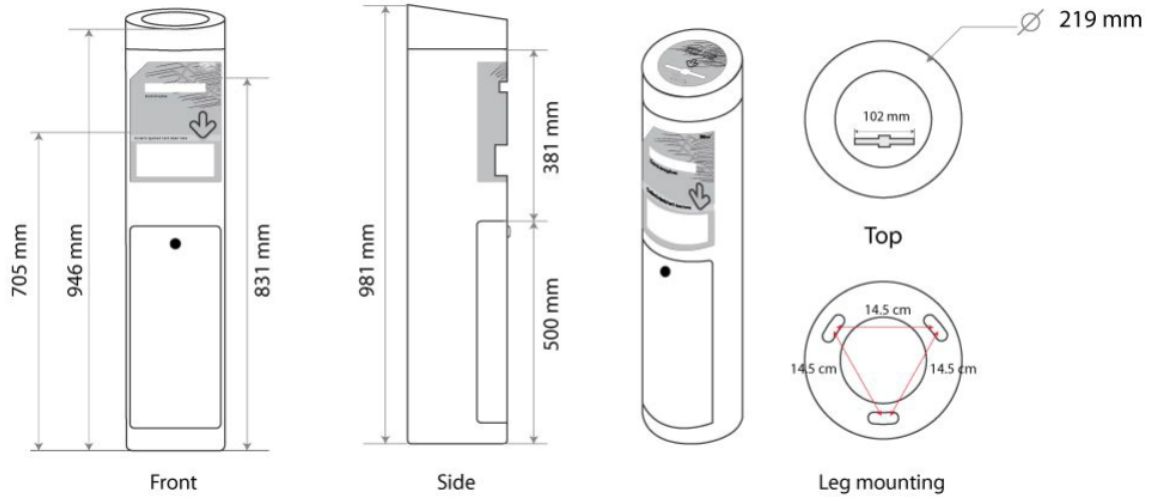
**Easy maintenance.** Top cover can be opened by key. Entire machine core can be taken out easily for servicing or installing reader. Bottom door can be opened by key to take out collection bin once it is full. Once collection bin is full, all cards (valid/invalid) card will fall out to the exit tray. DBX100 will not accept any more cards until the collection bin is cleared.



### Technical specification

Description	Parameter
Power Supply	AC230 power input Built in DC12V power supply inside DBX100
Power Consumption	Idle : 12VDC, 0.01A Operation : 12VDC, 4.71- 4.74A
Light indicator	<i>Blue</i> : Power On <i>Green</i> : Valid card <i>Red</i> : Card collection bin is full
Collection bin dimension	13.5 x 13.5 x 29 cm Can contain maximum 280 cards
Maximum card size	10 (W) x 9 (H) cm

## Dimension



## Typical application usage

DBX100 can be used with visitor management software (VMS) to achieve auto-visitor check out function. Visitor no longer need to go to the reception counter to return their visitor card. Visitor just needs to drop their visitor card into DBX100, the card will automatically check out this visitor in VMS software record.

DBX100 also can be used for ticketing application. Visitor can purchase entrance fees and be given a proximity card. Visitor drop the proximity card into dropbox to trigger gate to open. Operator collects all ticket (proximity card) back to ticket counter once the collection bin is full. Operator can reuse the proximity card again for next visitor.